

Oops Dragon My Diary Entry



Can you write your own diary entry for a day in the life of a dragon or the girl? Remember to include everything on the diary writing checklist.

Choose from either the girl or Oops Dragon.



Date: _____

Dear diary,

First, I woke up and _____

I felt _____

Then, _____

I felt _____

Next, _____

I felt _____

After that, _____

I felt _____

At the end of the day, I _____



Today has been _____

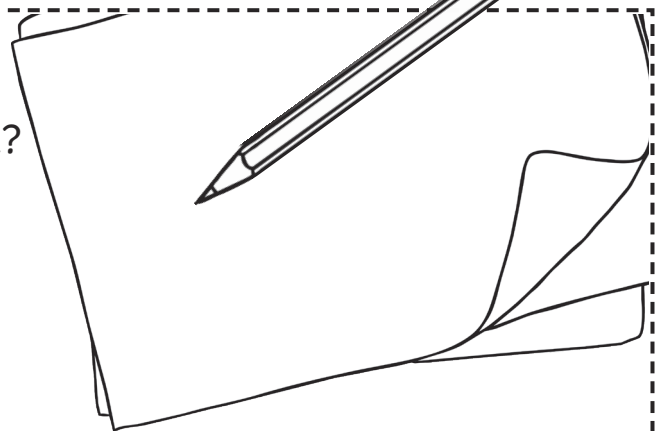
I hope tomorrow _____

From, _____



Did I...

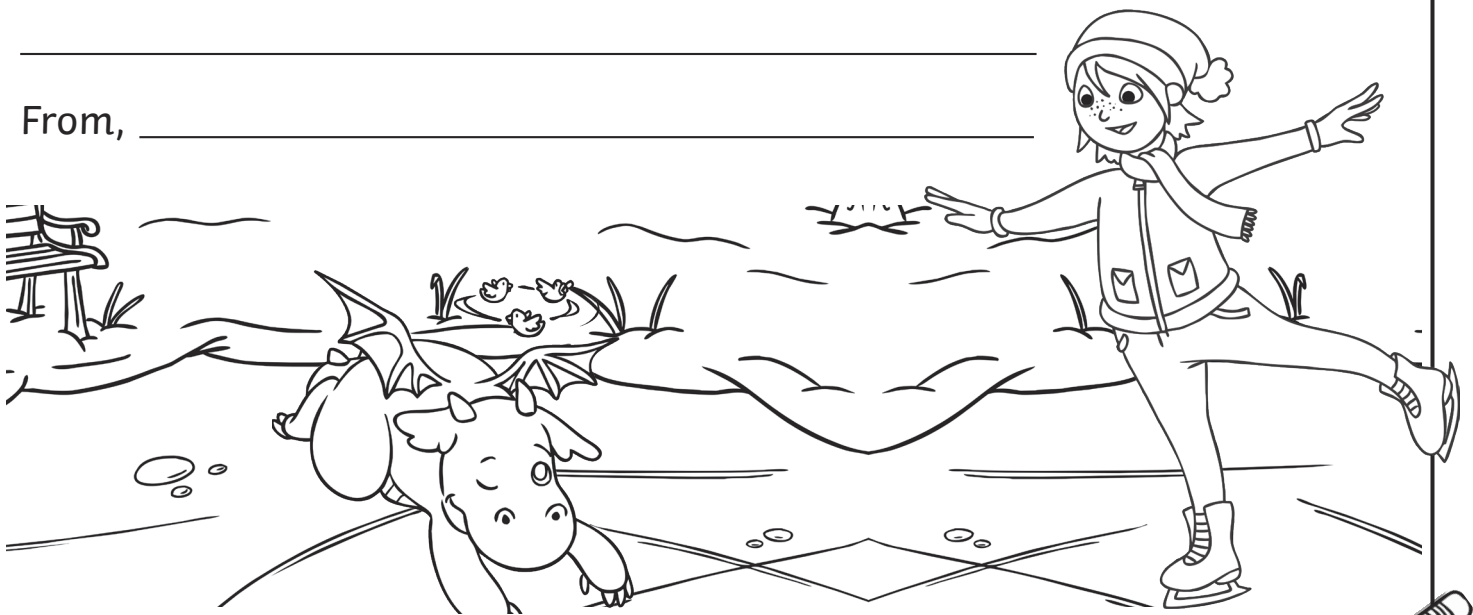
- ...include the date the diary was written?
- ...use the words 'I' and 'my'?
- ...describe my feelings?
- ...write about the events in order?
- ...use time linking words, e.g. 'next', 'first', 'then'?



Today has been _____

I hope tomorrow _____

From, _____



Did I...

...include the date and/or time the diary was written?

...use the words 'I', 'my', 'we' and 'our'?

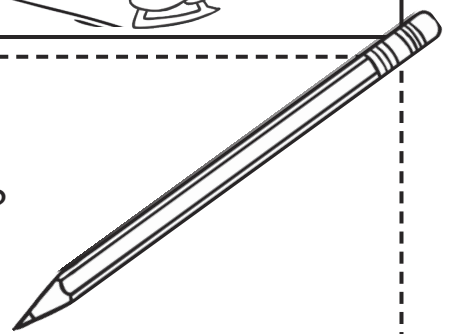
...write as if I was there?

...write about the most important events in the order they happened?

...describe my feelings?

...use time linking words, e.g. 'next', 'first', 'then'?

...talk about where events happened?



Oops Dragon My Diary Entry



Can you write your own diary entry for a day in the life of a dragon or the girl? Remember to include everything on the diary writing checklist.

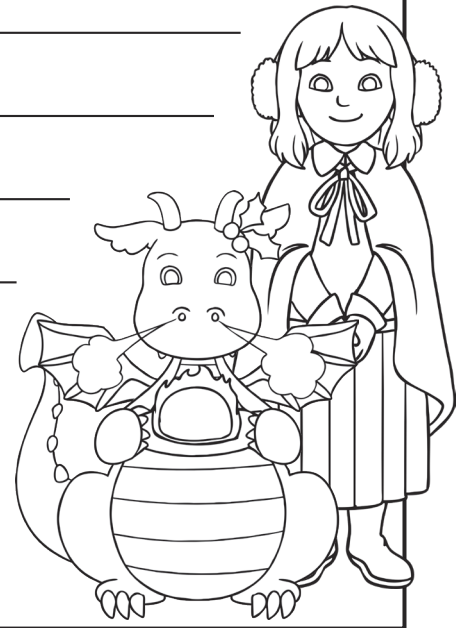
Choose from either the girl or Oops Dragon.



A large rectangular box containing 20 horizontal lines for writing a diary entry.



Handwriting practice area with 15 horizontal lines. A cartoon illustration of a girl with pigtails and a dragon-like creature is positioned on the right side of the lines.



Did I...

- ...include the date and/or time the diary was written?
- ...write in past tense?
- ...use the words 'I', 'my', 'we' and 'our'?
- ...include detailed description and adjectives?
- ...write about the most important events in the order they happened?
- ...describe my feelings in detail?
- ...use time linking words, e.g. 'next', 'first', 'then', 'afterwards', 'finally'?
- ...talk about where events happened?

