



Wheels and axles



Making a Base for a Car





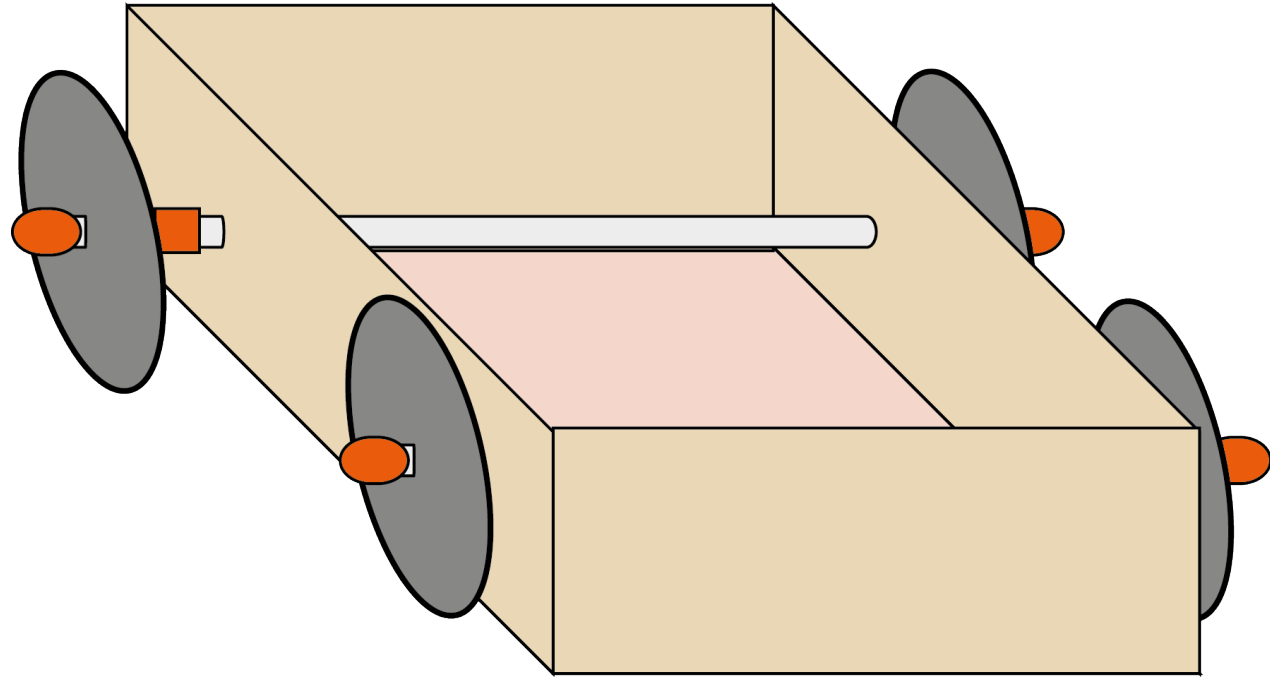
You Will Need:

1 base

4 wheels

2 axles

8 pieces of plastic
tubing





Assembling the Car Base

1. Put glue on the tabs and assemble the car base
2. Push through the axles
3. Put a piece of plastic tubing on each axle, ...
... *then* the wheel...
... *then* another piece of tubing.
Use sticky tape or glue to hold the final piece of tubing in place.

